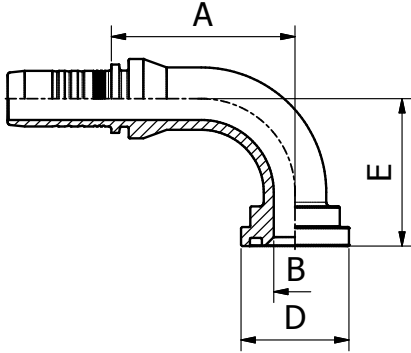


SAE STANDARD CONNECTIONS

M23391

90° ISO/SAE CODE 61 FLANGE
SAE J516 / ISO 12151-3



PART. REF.	HOSE BORE			FLANGE		DIMENSIONS mm					
	DN	Dash	inch	inch		B	A	D	E		
M23391-06-08	10	-6	3/8"	1/2"		9.3	44.5	30.0	34.5		
M23391-08-08	12	-8	1/2"	1/2"		9.3	54.5	30.3	40.0		
M23391-08-12	12	-8	1/2"	3/4"		15.0	54.5	38.0	41.0		
M23391-08-16	12	-8	1/2"	1"		19.8	54.5	44.6	66.0		
M23391-10-08	16	-10	5/8"	1/2"		9.3	56.0	30.3	46.5		
M23391-10-12	16	-10	5/8"	3/4"		15.0	56.0	38.0	47.5		
M23391-12-12	19	-12	3/4"	3/4"		15.0	64.5	38.0	52.0		
M23391-12-16	19	-12	3/4"	1"		20.0	64.5	44.6	52.0		
M23391-12-20	19	-12	3/4"	1.1/4"		26.0	64.5	51.0	52.0		
M23391-16-12	25	-16	1"	3/4"		15.0	71.0	38.0	52.0		
M23391-16-16	25	-16	1"	1"		19.8	77.5	44.6	62.0		
M23391-16-20	25	-16	1"	1.1/4"		26.0	77.5	51.0	62.0		
M23391-16-24	25	-16	1"	1.1/2"		32.0	77.0	60.5	64.0		
M23391-20-16	31	-20	1.1/4"	1"		19.8	80.0	44.6	66.0		
M23391-20-20	31	-20	1.1/4"	1.1/4"		26.0	90.5	51.0	70.0		
M23391-20-24	31	-20	1.1/4"	1.1/2"		32.0	90.5	60.5	72.0		
M23391-20-32	31	-20	1.1/4"	2"		42.0	93.5	71.6	76.0		
M23391-24-20	38	-24	1.1/2"	1.1/4"		26.0	104.5	51.0	75.0		
M23391-24-24	38	-24	1.1/2"	1.1/2"		32.0	108.0	60.5	84.0		
M23391-24-32	38	-24	1.1/2"	2"		42.0	108.0	71.6	84.0		
M23391-32-24	51	-32	2"	1.1/2"		32.0	136.0	60.5	89.0		
M23391-32-32	51	-32	2"	2"		42.0	129.0	71.6	99.0		
M23391-32-40	51	-32	2"	2.1/2"		56.0	132.5	84.3	116.0		
M23391-40-32	63	-40	2.1/2"	2"		42.0	149.5	71.6	114.0		
M23391-40-40	63	-40	2.1/2"	2.1/2"		52.0	88.0	84.3	119.0		
M23391-40-40A150	63	-40	2.1/2"	2.1/2"		52.0	150.5	84.3	117.0		
M23391-40-48	63	-40	2.1/2"	3"		61.0	120.0	101.6	140.0		
M23391-48-48	76	-48	3"	3"		58.0	123.0	101.6	140.0		
M23391-48-56	76	-48	3"	3.1/2"		61.0	123.0	114.3	115.0		
M23391-56-56	89	-56	3.1/2"	3.1/2"		79.0	134.5	114.3	160.0		
M23391-64-64	102	-64	4"	4"		90.0	153.5	127.0	158.5		

All items are made from solid with the exception of M23391-40-40, M23391-40-48, M23391-48-48, M23391-48-56, M23391-56-56, M23391-64-64.